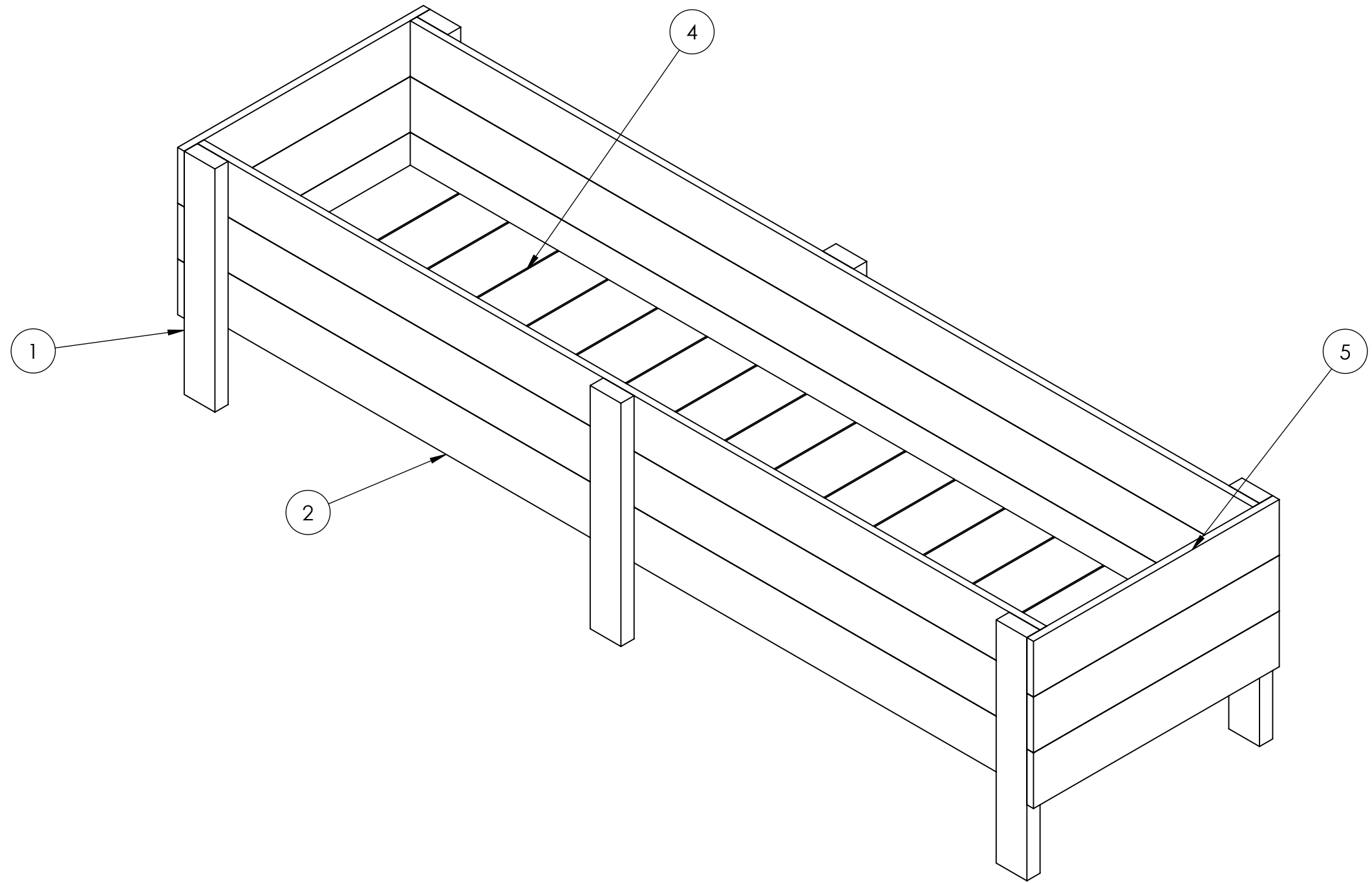


REVISIONS

REV.	DESCRIPTION	DATE	APPROVED
0	INITIAL RELEASE		

1. BUILD FOR MOTHER'S DAY
2. MATERIAL: CEDAR
3. CUT BOARDS USING LOVE.
4. FASTEN JOINTS WITH TENDERNESS.
5. MAKE MOM SMILE
6. SUGGESTED SOURCE OF SUPPLY:
OWEN & DADDY, INC



MOTHER'S DAY CUT LIST

ITEM NO.	QTY.	DESCRIPTION
1	6	2X4 CEDAR
2	6	1X6 CEDAR
3	2	1X2 CEDAR
4	17	1X6 CEDAR
5	6	1X6 CEDAR

UNLESS OTHERWISE SPECIFIED:

DIMENSIONS ARE IN INCHES
 TOLERANCES:
 FRACTIONAL ± 1/16"
 ANGULAR: MACH ± 1.0° BEND ±
 TWO PLACE DECIMAL ± .030
 THREE PLACE DECIMAL ± .010

INTERPRET GEOMETRIC TOLERANCING ANSI Y14.5
 MATERIAL SEE NOTES
 FINISH SEE NOTES
 DO NOT SCALE DRAWING

PROPRIETARY AND CONFIDENTIAL
 THE INFORMATION CONTAINED IN THIS DRAWING IS STRICTLY FOR BUILDING AWESOME MOMMY'S DAY GIFTS. ANY OTHER USE OF THIS DRAWING IS PROHIBITED BY OWEN & DADDY INC

	NAME	DATE
DRAWN	O&D	05-11-14
CHECKED	OWEN	05-11-14
ENG APPR.	DADDY	05-11-14
MFG APPR.	DADDY	05-11-14
Q.A.	OWEN	05-11-14

OWEN & DADDY INC

TITLE:
MOTHER'S DAY PLANTER

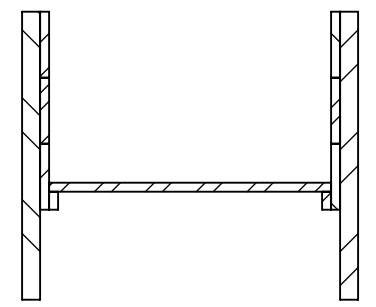
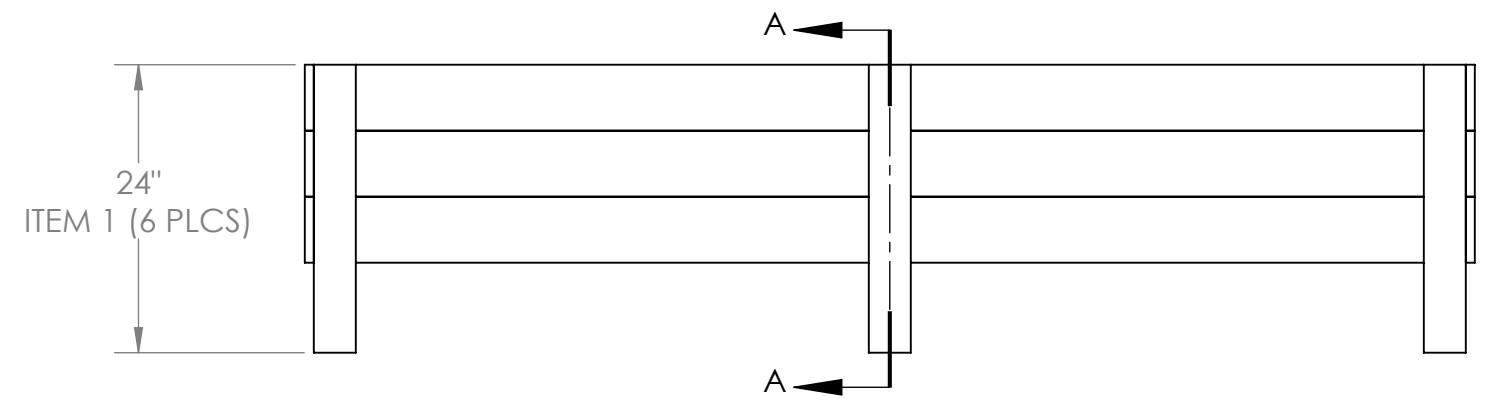
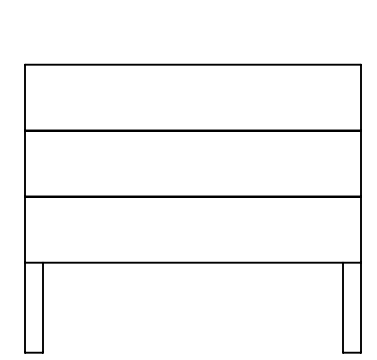
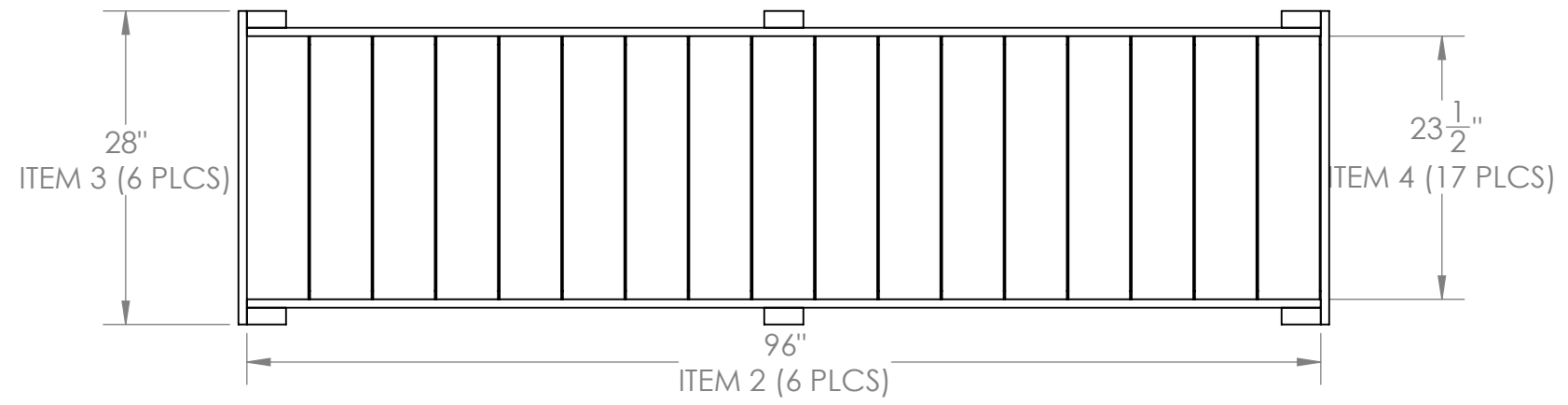
SIZE B	DWG. NO. PLANTER	REV 0
------------------	----------------------------	-----------------

SCALE: 1:16 WEIGHT: 97 lb SHEET 1 OF 2

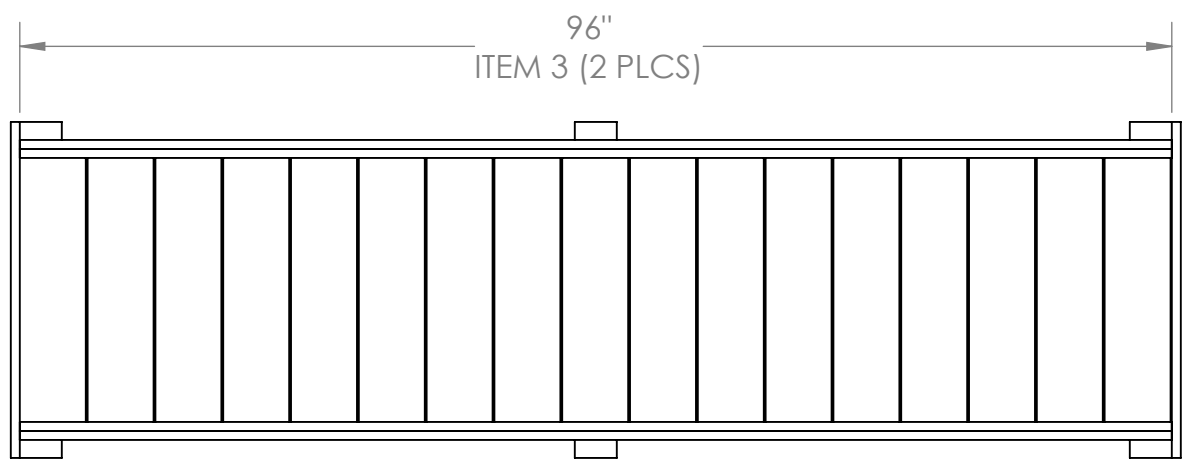
8 7 6 5 4 3 2 1

D
C
B
A

D
C
B
A



SECTION A-A



8 7 6 5 4 3 2 1

SIZE	DWG. NO.	REV
B	PLANTER	0
SCALE: 1:16		SHEET 2 OF 2