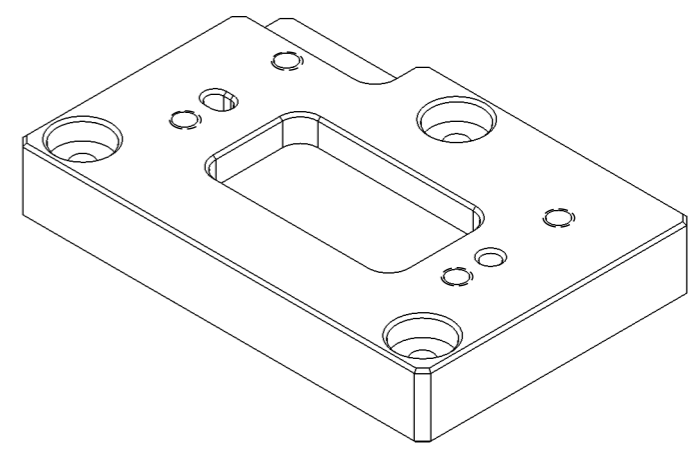
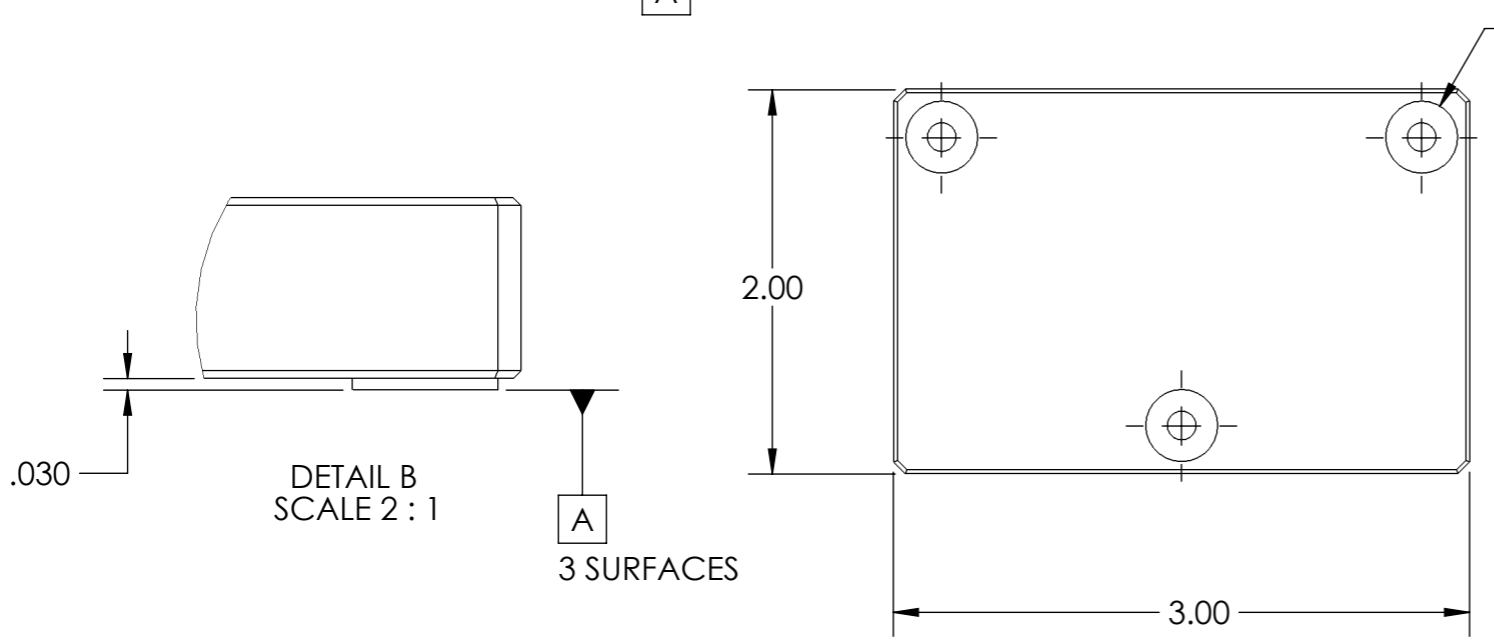
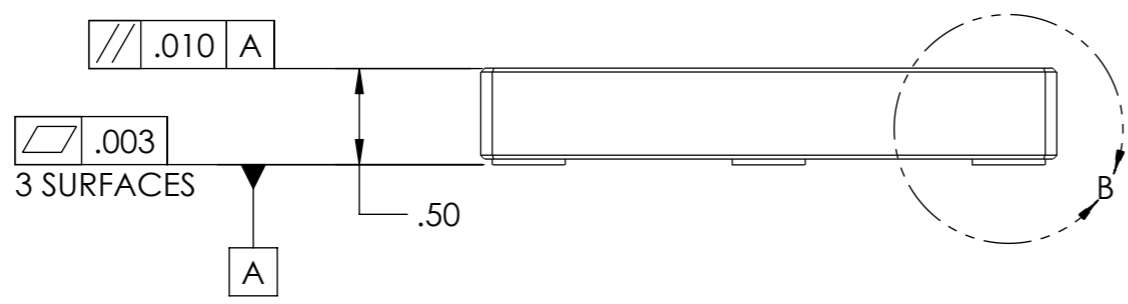
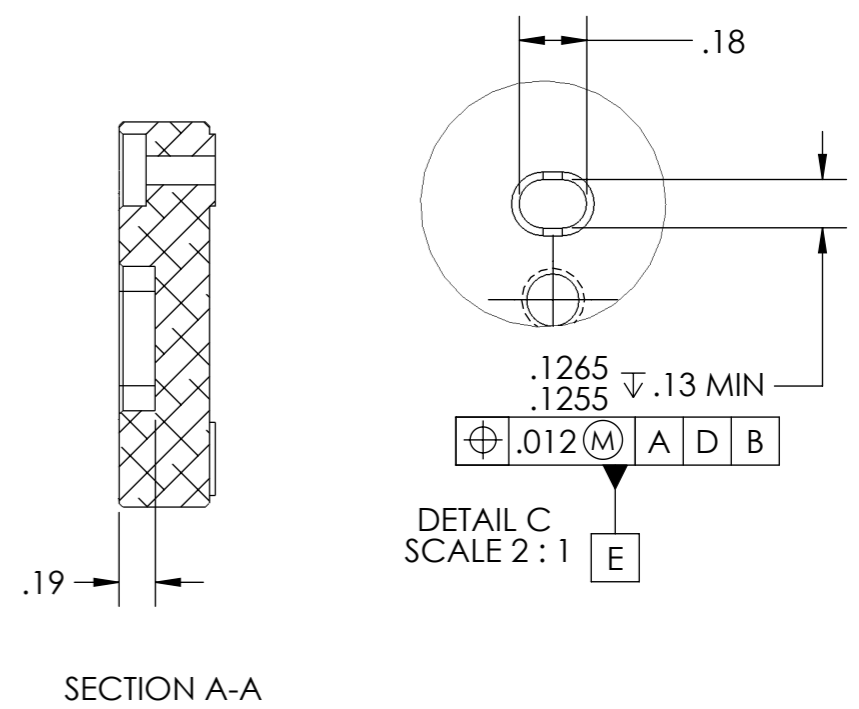
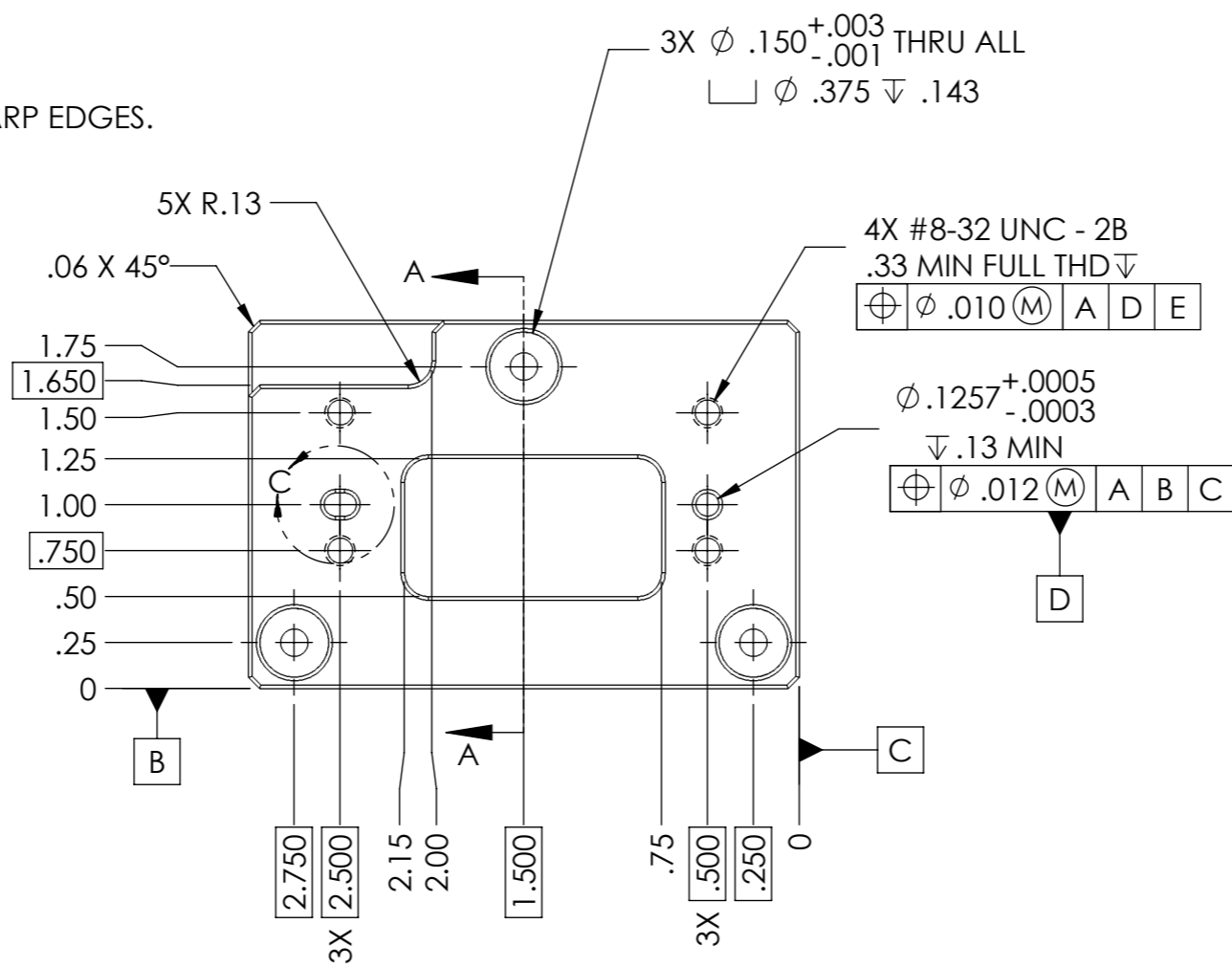


1. MATERIAL: ALUMINUM 6061-T6
2. FINISH: ANODIZE BLACK
3. REMOVE BURRS AND BREAK SHARP EDGES.



ISOMETRIC VIEW
SCALE: NONE

Material: SEE NOTES		This drawing and any information or descriptive material set out on it are the confidential and copyright property of Zalaco, LLC. © and MUST NOT BE DISCLOSED, COPIED, LOANED in whole or part or used for any purpose without the written permission of Zalaco, LLC.		Description: TEST FIXTURE, OPTICAL MOUNT	
Finish: SEE NOTES		Document Type:		Drawn by:	
Unless otherwise specified, all dimensions are inches [mm]. Two place decimal: ± 0.020 , three place decimal: ± 0.005 , Angular Tol.: 0.5° Surface Finish: $0.8\mu\text{m}$		Drawing Scale: 1:1		Drawn Date:	
Approx Weight: 0.24 LB		Drawing Produced In Accordance With: ASME Y14.5		Checked/Approved by:	
Projection Method: THIRD ANGLE		Sheet Size: A3		Checked/Approved Date:	
Legal Owner: Zalaco, LLC 5968B Lakehurst Drive Orlando, FL 32819 info@zalaco.com		Company Confidential		Part Number: 128950	
				Drawing Number:	
				Sheet: 1 of 1	
				Revision: 0	